



PBS SSR-218

STANDING SEAM ROOFING PANEL

The SSR-218 is our most commonly specified standing seam panel for low slope applications. This panel offers both superior structural panel performance while maintaining architectural aesthetics, making it a perfect choice for your commercial, industrial, residential and institutional needs.



FEATURES:

Coverage Width 18"

Minimum Slope 1/2 : 12

Panel Attachment:

Concealed Fastening System
Low, High (Fixed or Floating)

Gauge:

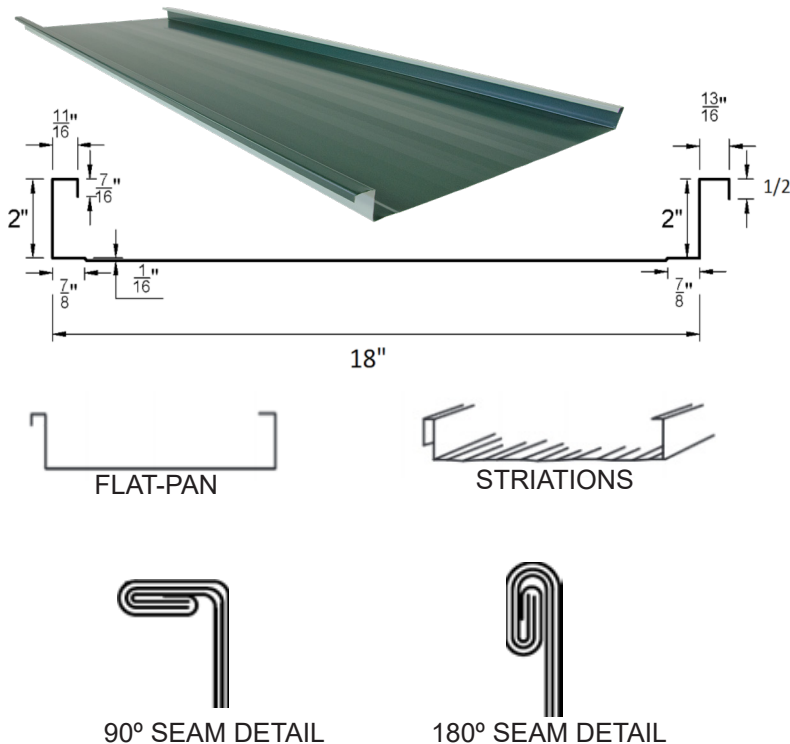
Standard: (.024") 24 Gauge
Optional: (.030") 22Gauge

Finishes:

Standard: Striated
Optional: Smooth

Coatings:

Galvalume Plus, Cool PVDF (Kynar)



SSR-218 is a mechanically field seamed, vertical leg standing seam roof system.

The SSR-218 has been designed to be installed directly over solid substrates purlins or bar joists.

The SSR218 panel incorporates a concealed fastener clip that removes the need for exposed fasteners and allows for thermal expansion and contraction.

The panel clips are available in a variety of heights to work with your specific insulation requirements.

This mechanically seamed panel has factory applied non-skinning butyl mastic for superior weather-tightness and provides an excellent defense against air and water infiltration.